

SF6 purity monitoring for gas recovery and gas recycling

SF6 purity monitor

Model **FI-8000-SF6**

In compliance with SF6 RECYCLING GUIDE (CIGRE)



▪ Minimum gas quantity for measuring

Gas measuring can be done with a small amount of gas quantity
Estimated gas consumption: Approx. 62.5ml (Sample pressure: 0.7MPa)

▪ Simple operation

Pressure and flow rate adjustment is not necessary.

▪ Data logger function

Max. 256 measuring data (date/time/measured value) can be stored

▪ Small and compact design

Compact carrying case enables users to carry the instrument easily

SF6 gas?

SF6 is known as high electric insulating characteristic, and it is widely used as an insulating gas in power substation facilities, electric transformers and electric current breakers.

Also SF6 is known as greenhouse gas that greenhouse effect is regarded 23500 times higher than CO₂. Reduction of SF6 discharge volume, gas recovery and recycling is seriously required.



Specification

Model	FI-8000-SF6
Target gas	SF6 (AIR base)
Reference gas	AIR
Principle	Interferometer (Optical sensor)
Measuring range	0.0 to 99.9%up
Minimum resolution	0.1%
Accuracy	±1% (Under same condition)
Display	LCD (7 segment for value + Symbol + 20 segment for letter x 2 line)
Gas sample pressure	0.1~0.7MPa (Gauge pressure)
Flow rate	Approx. 250ml/min (Gas sample pressure is 0.7MPa)
Power supply	AA battery x 3 pcs or AC adaptor (Optional accessory)
Operation time	More than 16 hours (No alarm, no light at 25 °C)
Temperature & humidity range	-10 to 40°C (no sudden change) Below 95%RH (no condensing)
Outer dimension	Approx. 305 (W) ×270 (H) ×194(D) mm
Weight	Approx. 4.5kg
Function	Pressure compensation, Temperature compensation

Accessory

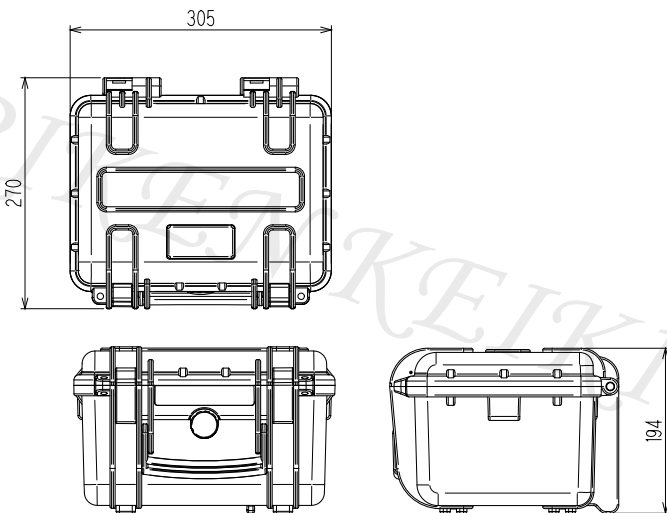
Manufacture: Nitto Koki Model: MC-04PC Max. pressure:1.0 MPa*	PTFE tube O.D. φ4 / I.D.φ2 Length approx.2m	Manufacture: Nitto Koki Model: MC-04SC Max. pressure:1.0 MPa*
Sampling tube		

*Gas supply pressure onto the instrument is 0.1~0.7MPa (Gauge pressure)

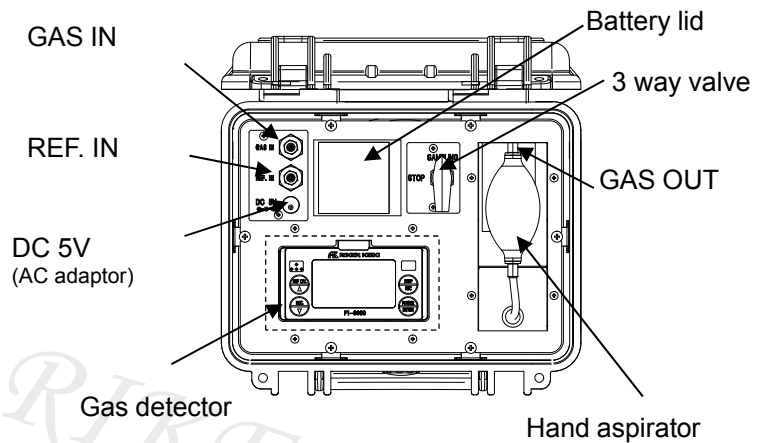
Optional accessory

<p>R1/8</p> Manufacture: Nitto Koki Model: MC-10SM Max. pressure: 1.0 MPa*	<p>Battery</p>	<p>AC adaptor</p>
--	-----------------------	--------------------------

Dimension



Parts Name



RIKEN KEIKI Co.,Ltd.

2-7-6 Azusawa, Itabashi-ku, Tokyo, 174-8744, Japan

Phone : +81-3-3966-1113

Fax : +81-3-3558-9110

E-mail : intdept@rikenkeiki.co.jp

Web site : <http://www.rikenkeiki.co.jp/english/>